

Datasheet | Rev. 2.0 | 2014

# IMM4G72D3(L)RDQ4AG (Die Revision B) 32GByte (4096M x 72 Bit)

32GB DDR3 Registered DIMM  
RoHS Compliant Product

**Version: Rev. 2.0, JUL 2014**

- 2.0 - Updated CAS Latency support to include CL5
- Added Operation temperature for Industrial Temperature Product in Table 10
- Updated Input Switching Conditions in Table 13
- Moved  $V_{SEH}$  information from Table 14 to Table 15
- Updated IDD values in Table 17
- Updated tAA, tRCD, tRP, tFAW in Table 18, 19

**Version: Rev. 1.0, DEC 2013**

- 1.0 - Initial release

**Remark:**

Please refer to the last page of the i) Contents ii) List of Table iii) List of Figures .

**We Listen to Your Comments**

Any information within this document that you feel is wrong, unclear or missing at all? Your feedback will help us to continuously improve the quality of this document. Please send your proposal (including a reference to this document) to: [sales@intelligentmemory.com](mailto:sales@intelligentmemory.com)

## Features

---

- 240-Pin Registered Dual-In-Line Memory Module
- Capacity: 32GB
- JEDEC-Standard
- Bi-directional Differential Data-Strobe
- 72 Bit Data Bus Width with ECC
- Programmable CAS Latency (CL):
  - PC3-12800: 5, 6, 7, 8, 9, 10, 11
  - PC3-10600: 5, 6, 7, 8, 9
- Programmable CAS Write Latency (CWL):
  - PC3-12800: 5, 6, 7, 8
  - PC3-10600: 5, 6, 7
- Programmable Additive Latency (Posted /CAS): 0, CL-2 or CL-1(Clock)
- On-Die Termination (ODT)
- ZQ Calibration Supported
- Burst Type (Sequential & Interleave)
- Burst Length: 4, 8
- Refresh Mode: Auto and Self
- 8192 Refresh Cycles / 64ms
- Asynchronous Reset
- On-board I2C temperature Sensor with integrated Serial Presence Detect (SPD) EEPROM
- Gold Edge Contacts
- 100% RoHS-Compliant
- Standard Module Height: 30.00mm (1.181 inch)

**Table 1 - Ordering Information for RoHS Compliant Product**

Part Number	Module Density	Configuration	# of Ranks	Module Type
IMM4G72D3(L)RDQ4AG-Bzzzy	32GB	4Gx72	4	32GB DDR3 Registered DIMM

Notes:

- x: Operating Voltage
- y: Operating Temperature
- zzz: Speed Grade

**Table 2 - Operating Voltage**

Part Number	Operating Voltage
Blank	VDD, VDDQ = 1.5V (1.425V-1.575V)
L	VDD, VDDQ = 1.35V (1.283V-1.45V) Backward compatible to VDD, VDDQ = 1.5V (1.425V-1.575V)

**Table 3 - Temperature Grade**

Part Number	Temperature Grade	T <sub>case</sub>
Blank	Commercial temperature	0°C to 95°C
I	Industrial temperature	-40°C to 95°C

Remark: T<sub>case</sub> is the case surface temperature on the center/top side of the DRAM. The refresh rate is required to double when 85°C < T<sub>case</sub> <= 95°C.

**Table 4 - Speed Grade**

Part Number	Speed Grade	Max Clock Frequency (min. Clock Cycle time @ min. CAS Latency)
125	PC3-12800 (DDR3-1600)	800MHz (1.25ns@CL=11)
15E	PC3-10600 (DDR3-1333)	667MHz (1.5ns@CL=9)

**Table 5 - Memory Chip Information**

Part Number	Base Device Brand	Base device	Voltage	Type	Chip Packing
IMM4G72D3LRDQ4AG-Bzzzy	Intelligent Memory	IM8G04D3FBDG	1.35V	1Gx4x2	Lead Free
IMM4G72D3RDQ4AG-Bzzzy	Intelligent Memory	IM8G04D3EBDG	1.5V	1Gx4x2	Lead Free

## Part Number Decoder

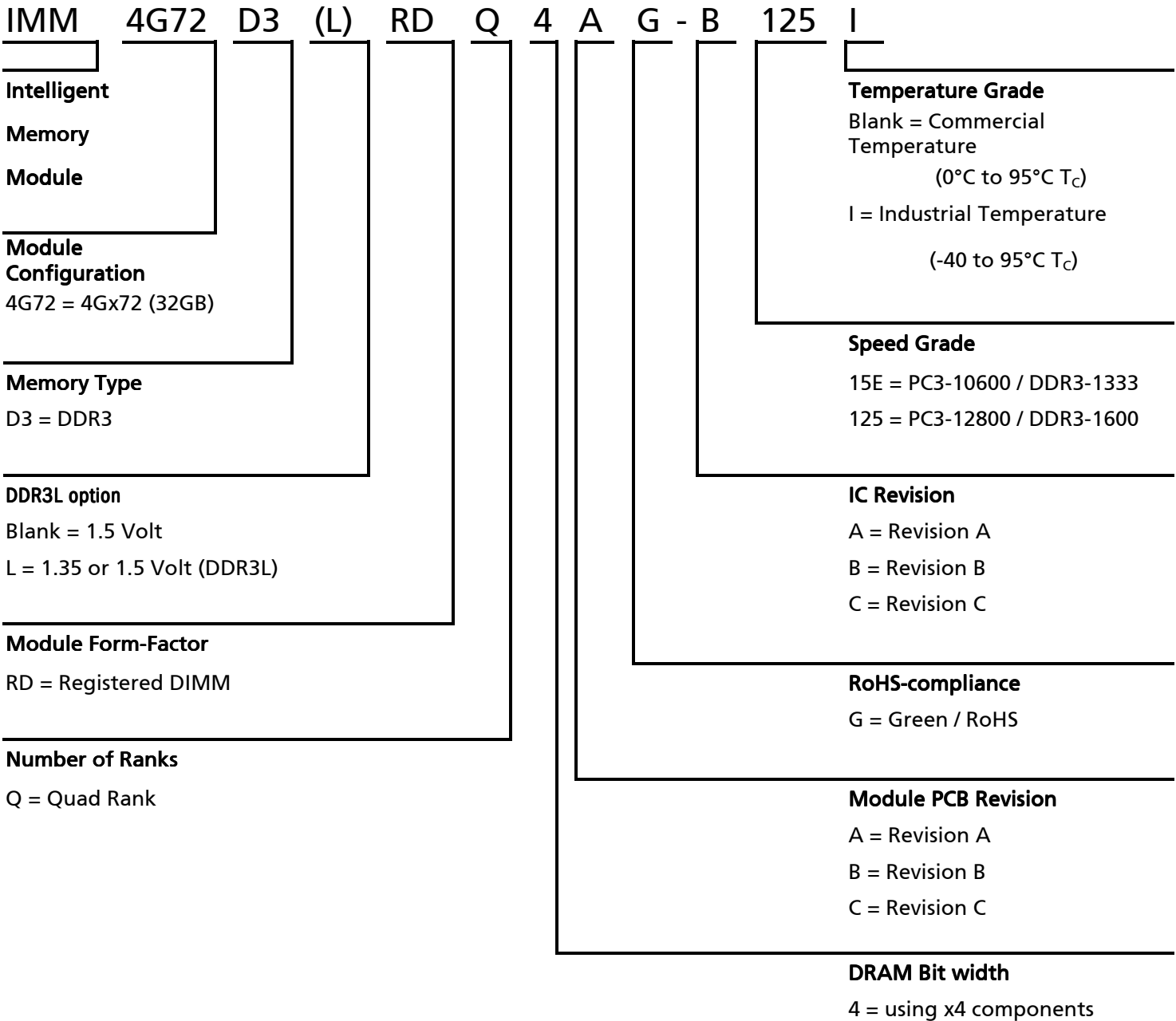


Table 6 - Addressing

Parameter	32GB
Refresh count	8K
Row address	64K A[15:0]
Device bank address	8 BA[2:0]
Device configuration	8Gb (1024Mx4x2 DDP)
Column address	2K A[9:0], A11
Module rank address	4 /S[3:0]
Number of devices	36

Table 7 - Pin Assignment

Pin	Name	Pin	Name	Pin	Name	Pin	Name
1	VREFDQ	121	VSS	61	A2	181	A1
2	VSS	122	D4	62	VDD	182	VDD
3	D0	123	D5	63	CK1	183	VDD
4	D1	124	VSS	64	/CK1	184	CK0
5	VSS	125	DQS9	65	VDD	185	/CK0
6	/DQS0	126	/DQS9	66	VDD	186	VDD
7	DQS0	127	VSS	67	VREFCA	187	/EVENT
8	VSS	128	D6	68	Par_In	188	A0
9	D2	129	D7	69	VDD	189	VDD
10	D3	130	VSS	70	A10/AP	190	BA1
11	VSS	131	D12	71	BA0	191	VDD
12	D8	132	D13	72	VDD	192	/RAS
13	D9	133	VSS	73	/WE	193	/S0
14	VSS	134	DQS10	74	/CAS	194	VDD
15	/DQS1	135	/DQS10	75	VDD	195	ODT0
16	DQS1	136	VSS	76	/S1	196	A13
17	VSS	137	D14	77	ODT1	197	VDD
18	D10	138	D15	78	VDD	198	/S3
19	D11	139	VSS	79	/S2	199	VSS
20	VSS	140	D20	80	VSS	200	D36
21	D16	141	D21	81	D32	201	D37
22	D17	142	VSS	82	D33	202	VSS
23	VSS	143	DQS11	83	VSS	203	DQS13
24	/DQS2	144	/DQS11	84	/DQS4	204	/DQS13
25	DQS2	145	VSS	85	DQS4	205	VSS
26	VSS	146	D22	86	VSS	206	D38
27	D18	147	D23	87	D34	207	D39
28	D19	148	VSS	88	D35	208	VSS
29	VSS	149	D28	89	VSS	209	D44
30	D24	150	D29	90	D40	210	D45
31	D25	151	VSS	91	D41	211	VSS
32	VSS	152	DQS12	92	VSS	212	DQS14
33	/DQS3	153	/DQS12	93	/DQS5	213	/DQS14
34	DQS3	154	VSS	94	DQS5	214	VSS
35	VSS	155	D30	95	VSS	215	D46
36	D26	156	D31	96	D42	216	D47
37	D27	157	VSS	97	D43	217	VSS
38	VSS	158	CB4	98	VSS	218	D52
39	CB0	159	CB5	99	D48	219	D53
40	CB1	160	VSS	100	D49	220	VSS
41	VSS	161	DQS17	101	VSS	221	DQS15
42	/DQS8	162	/DQS17	102	/DQS6	222	/DQS15
43	DQS8	163	VSS	103	DQS6	223	VSS
44	VSS	164	CB6	104	VSS	224	D54
45	CB2	165	CB7	105	D50	225	D55
46	CB3	166	VSS	106	D51	226	VSS
47	VSS	167	NC	107	VSS	227	D60
48	VTT	168	/RESET	108	D56	228	D61
49	VTT	169	CKE1	109	D57	229	VSS
50	CKE0	170	VDD	110	VSS	230	DQS16
51	VDD	171	A15	111	/DQS7	231	/DQS16
52	BA2	172	A14	112	DQS7	232	VSS
53	/Err_Out	173	VDD	113	VSS	233	D62
54	VDD	174	A12, /BC	114	D58	234	D63
55	A11	175	A9	115	D59	235	VSS
56	A7	176	VDD	116	VSS	236	VDDSPD
57	VDD	177	A8	117	SA0	237	SA1
58	A5	178	A6	118	SCL	238	SDA

Pin	Name	Pin	Name	Pin	Name	Pin	Name
59	A4	179	VDD	119	SA2	239	VSS
60	VDD	180	A3	120	VTT	240	VTT

**Table 8 - Pin Description**

Pin Name	Description	Pin Name	Description
VDD	SDRAM core power supply	VREFDQ	SDRAM I/O reference supply
VREFCA	SDRAM command/address reference supply	VSS	Power supply return (ground)
A0-A15	SDRAM address bus	BA0-BA2	SDRAM bank addresses
CK0-CK1	SDRAM clocks (positive line of differential pair)	/CK0-/CK1	SDRAM clocks (negative line of differential pair)
/RAS	SDRAM row address strobe	/CAS	SDRAM column address strobe
/WE	SDRAM write enable	CKE0, CKE1	SDRAM clock enable lines
/S0-/S3	DIMM Rank Select Lines	ODT0, ODT1	On-die termination control lines
DQS0-DQS17	SDRAM data strobes (positive line of differential pair)	/DQS0-/DQS17	SDRAM data strobes (negative line of differential pair)
D0-D63	DIMM memory data bus	CB0-CB7	Data check bits Input/Output
SCL	EEPROM clock	SDA	EEPROM data line
SA0-SA2	EEPROM address input	VDDSPD	EEPROM positive power supply
PAR_IN	Parity Input	/EVENT	Temperature event
/ERR_OUT	Parity Error Output	/RESET	Register and SDRAM control pin
NC	Spare Pins (no connect)	VTT	Termination Voltage

Figure 1 – Module Dimension 240 Pin DDR3 SDRAM Registered DIMM

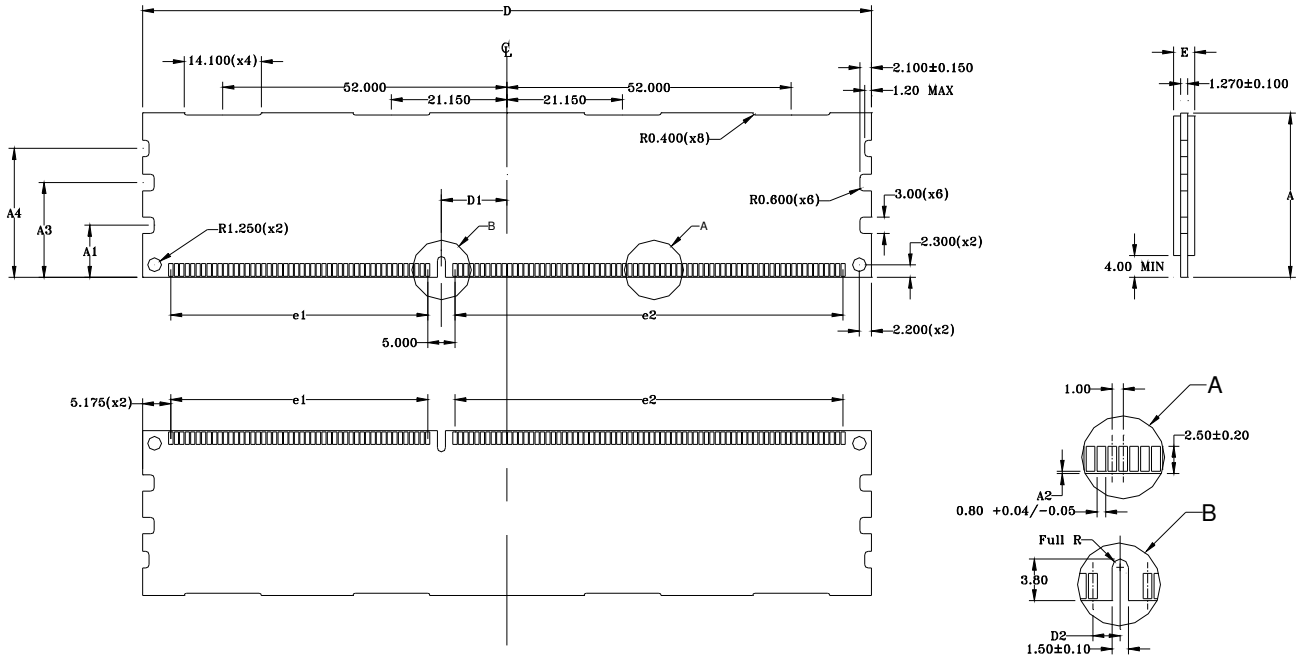




Table 9 - PCB Dimension

Symbol	MIN	NOM	MAX
A	29.85	30.00	30.15
A1	9.50 Basic		
A3	17.30 Basic		
A4	23.30 Basic		
D	133.20	133.35	133.50
D1	12.00 Basic		
D2	2.50 Basic		
e1	47.00 Basic		
e2	71.00 Basic		
E			4.00

Notes:

- All dimensioning and tolerancing conform to ASME Y14.5M-1994.
- Tolerances for all dimensions  $\pm 0.15$  unless otherwise specified.
- All dimensions are in millimeters.

Figure 2 – Functional Block Diagram (Page 1 of 4)

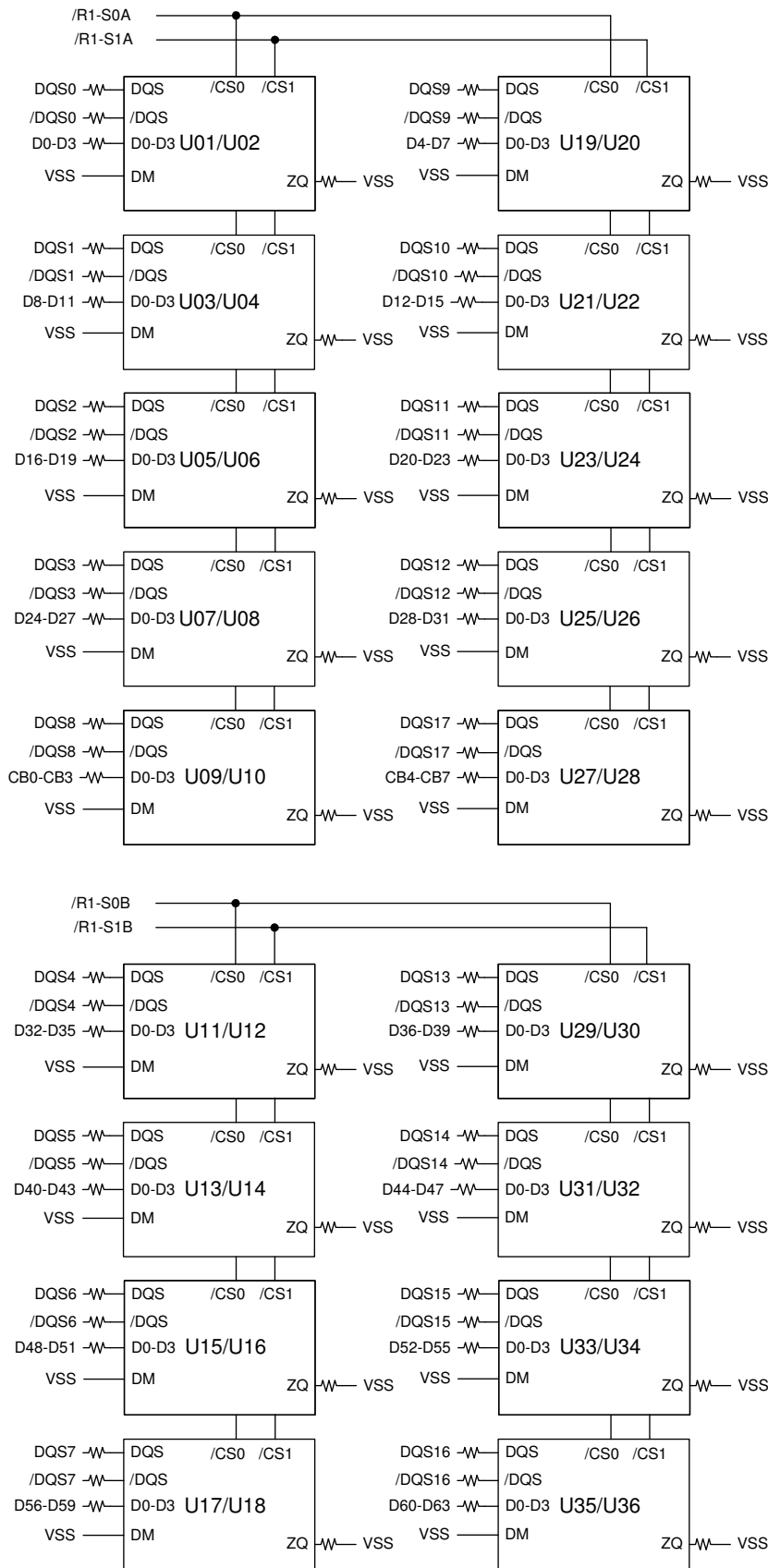


Figure 3 – Functional Block Diagram (Page 2 of 4)

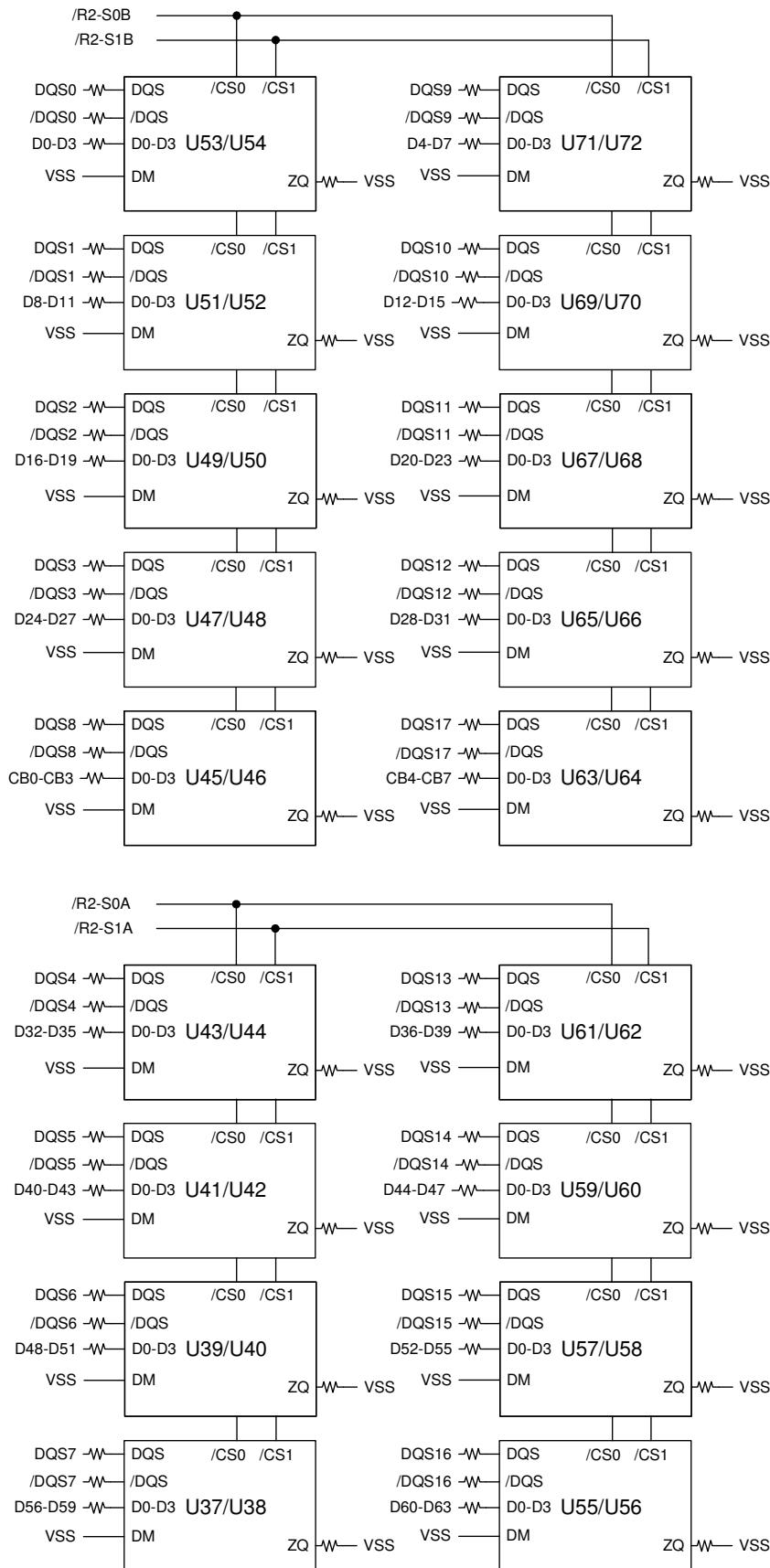


Figure 4 – Functional Block Diagram (Page 3 of 4)

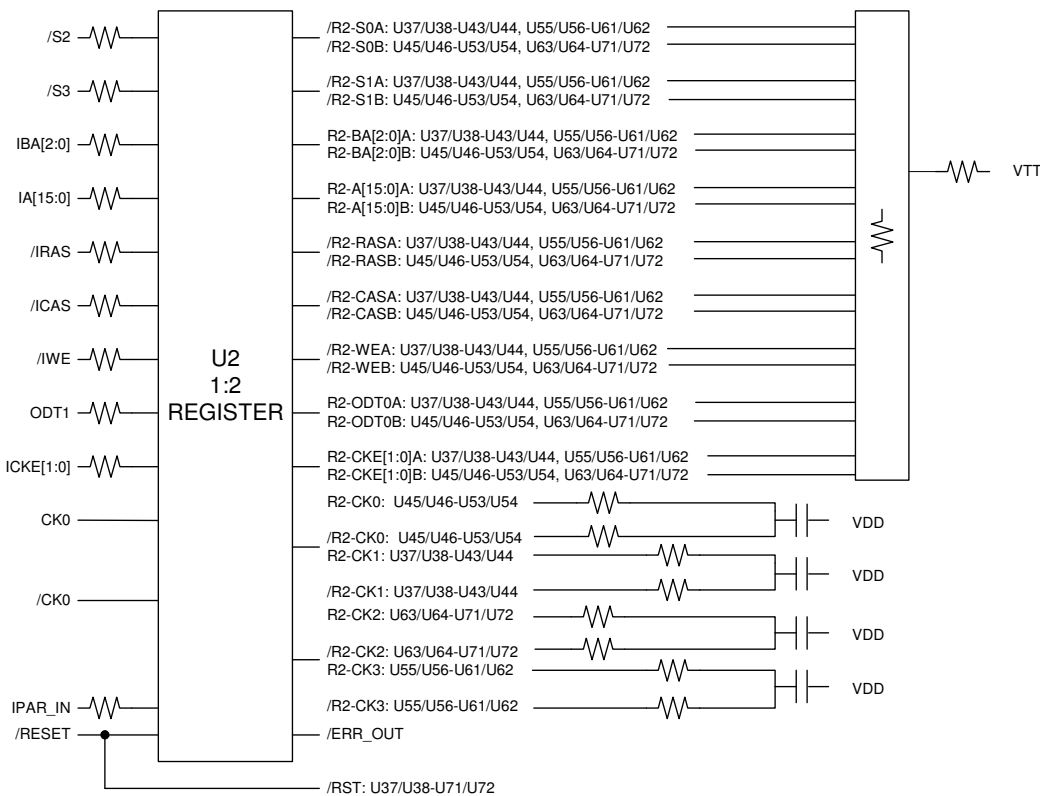
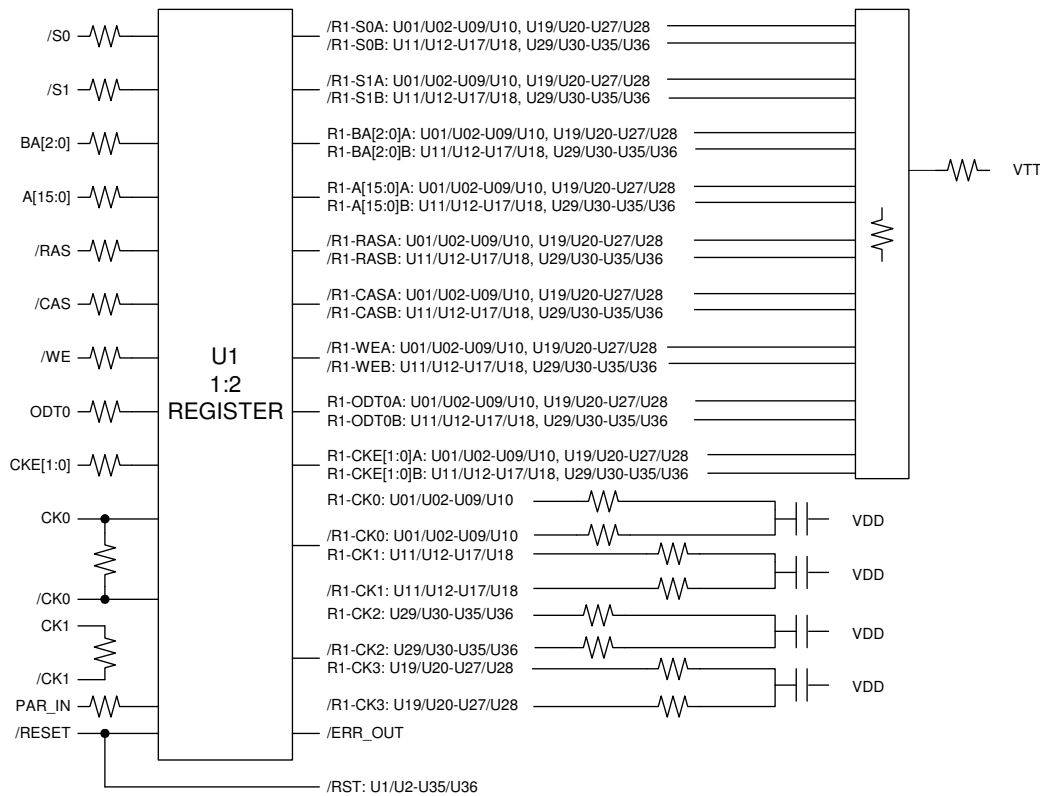
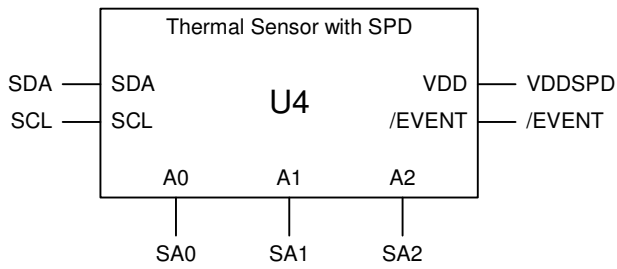
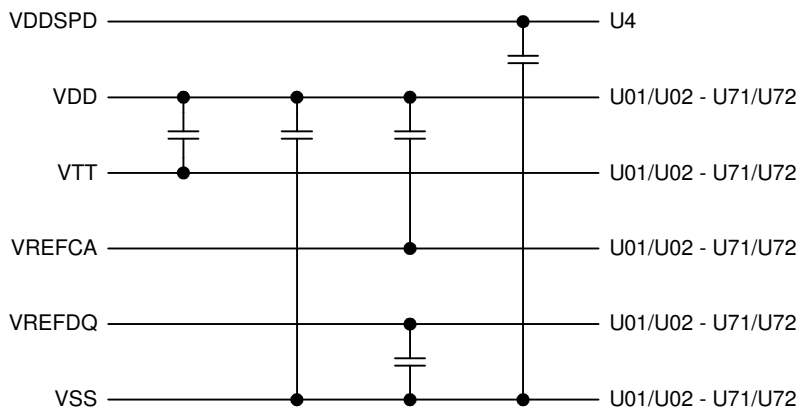


Figure 5 – Functional Block Diagram (Page 4 of 4)



## Electrical Parameter

**Table 10 - Absolute Maximum DC Ratings**

Parameter	Symbol	Rating	Unit	Notes
Voltage on V <sub>DD</sub> , pin relative to V <sub>SS</sub>	V <sub>DD</sub>	-0.4V ~ 1.975	V	1,3
Voltage on V <sub>DDQ</sub> , pin relative to V <sub>SS</sub>	V <sub>DDQ</sub>	-0.4V ~ 1.975	V	1,3
Voltage on any pins relative to V <sub>SS</sub>	V <sub>IN</sub> , V <sub>OUT</sub>	-0.4V ~ 1.975	V	1
DRAM Storage temperature	T <sub>STG</sub>	-55 ~ 100	°C	1,2
DRAM Operation temperature (Standard Product)	T <sub>case</sub>	0 ~ 95	°C	2,4,6
DRAM Operation temperature (Industrial Temperature Product)	T <sub>case</sub>	-40 ~ 95	°C	2,5,6

**Notes:**

- <sup>1</sup> Stresses greater than those listed under “Absolute Maximum Ratings” may cause permanent damage to the device. This is a stress rating only and functional operation of the device at these or any other conditions above those indicated in the operational sections of this specification is not implied. Exposure to absolute maximum rating conditions for extended periods may affect reliability.
- <sup>2</sup> Storage Temperature or DRAM operation temperature is the case surface temperature on the center/top side of the DRAM. For the measurement conditions, please refer to JESD51-2 standard.
- <sup>3</sup> VDD and VDDQ must be within 300mV of each other at all times; and VREF must not be greater than 0.6 x VDDQ, when VDD and VDDQ are less than 500mV; VREF may be equal to or less than 300mV.
- <sup>4</sup> The Normal Temperature Range specifies the temperatures when all DRAM specifications will be supported. During operation, the DRAM case temperature must be maintained between 0-95 °C under all operating conditions.
- <sup>5</sup> The Normal Temperature Range specifies the temperatures when all DRAM specifications will be supported. During operation, the DRAM case temperature must be maintained between -40-95 °C under all operating conditions.
- <sup>6</sup> Some applications require operation of the Extended Temperature Range between 85 °C and 95 °C case temperature. Full Specifications are guaranteed in this range but the following additional conditions apply  
 a) Refresh commands must be doubled in frequency, therefore reducing the refresh interval tREFI to 3.9us.  
 b) If Self-Refresh operation is required in the Extended Temperature Range, then it is mandatory to either use the Manual Self-Refresh mode with Extended Temperature Range capability (MR2 A6 = 0b and MR2 A7 = 1b) or enable the optional Auto Self-Refresh mode (MR2 A6 = 1b and MR2 A7 = 0b).

**Table 11 - DC Electrical Characteristics and Operating Conditions**

Parameter / Condition	Symbol	Rating			Units	Notes
		Min	Typ.	Max		
Supply voltage	V <sub>DD</sub>	1.283	1.35	1.45	V	1,2
I/O supply voltage	V <sub>DDQ</sub>				V	1,2
Supply voltage	V <sub>DD</sub>	1.425	1.5	1.575	V	1,2,3
I/O supply voltage	V <sub>DDQ</sub>				V	1,2,3

**Notes:**

- <sup>1</sup> VDD and VDDQ must track one another. VDDQ must be less than or equal to VDD. VSS = VSSQ.
- <sup>2</sup> VDD and VDDQ may include AC noise of +/-50mV (250 kHz to 20 MHz) in addition to the DC (0 Hz to 250 kHz) specifications. VDD and VDDQ must be at same level for valid AC timing parameters.
- <sup>3</sup> Module is backward-compatible with 1.5V operation.

Table 12 - DC Electrical Characteristics and Input Conditions

Parameter / Condition	Symbol	Rating			Units	Notes
		Min	Typ.	Max		
$V_{IN}$ low; DC/commands/address buses (1.35V Operation)	$V_{IL}$	$V_{SS}$	-	-0.090	V	
$V_{IN}$ low; DC/commands/address buses (1.5V Operation)	$V_{IL}$	$V_{SS}$	-	-0.100	V	
$V_{IN}$ high; DC/commands/address buses (1.35V Operation)	$V_{IH}$	0.090	-	$V_{DD}$	V	
$V_{IN}$ high; DC/commands/address buses (1.5V Operation)	$V_{IH}$	0.100	-	$V_{DD}$	V	
Input reference voltage; command/address bus	$V_{REFCA(DC)}$	$0.49 * V_{DD}$	$0.50 * V_{DD}$	$0.51 * V_{DD}$	V	1,2
I/O reference voltage DQ bus	$V_{REFDQ(DC)}$	$0.49 * V_{DD}$	$0.50 * V_{DD}$	$0.51 * V_{DD}$	V	2,3
Command/address termination voltage (system level, not direct DRAM input)	$V_{TT}$	-	$0.50 * V_{DDQ}$	-	V	4

**Notes:**

- <sup>1</sup>  $V_{REFCA(DC)}$  is expected to be approximately  $0.5 \times V_{DD}$  and to track variations in the DC level. Externally generated peak noise (noncommon mode) on  $V_{REFCA}$  may not exceed  $\pm 1\% \times V_{DD}$  around the  $V_{REFCA(DC)}$  value. Peak-to-peak AC noise on  $V_{REFCA}$  should not exceed  $\pm 2\%$  of  $V_{REFCA(DC)}$ .
- <sup>2</sup> DC values are determined to be less than 20 MHz in frequency. DRAM must meet specifications if the DRAM induces additional AC noise greater than 20 MHz in frequency.
- <sup>3</sup>  $V_{REFDQ(DC)}$  is expected to be approximately  $0.5 \times V_{DD}$  and to track variations in the DC level. Externally generated peak noise (noncommon mode) on  $V_{REFDQ}$  may not exceed  $\pm 1\% \times V_{DD}$  around the  $V_{REFDQ(DC)}$  value. Peak-to-peak AC noise on  $V_{REFDQ}$  should not exceed  $\pm 2\%$  of  $V_{REFDQ(DC)}$ .
- <sup>4</sup>  $V_{TT}$  is not applied directly to the device.  $V_{TT}$  is a system supply for signal termination resistors. MIN and MAX values are system-dependent.

Table 13 - Input Switching Conditions

Parameter / Condition	Symbol	Value		Units
		1.35V Operation	1.5V Operation	
Command and Address				
Input high AC voltage: Logic 1 @ 175mV	$V_{IH(AC175)min}$	-	175	mV
Input high AC voltage: Logic 1 @ 160mV	$V_{IH(AC160)min}$	160	-	mV
Input high AC voltage: Logic 1 @ 150mV	$V_{IH(AC150)min}$	-	150	mV
Input high AC voltage: Logic 1 @ 135mV	$V_{IH(AC135)min}$	135	-	mV
Input high DC voltage: Logic 1 @ 100mV	$V_{IH(DC100)min}$	-	100	mV
Input high DC voltage: Logic 1 @ 90mV	$V_{IH(DC90)min}$	90	-	mV
Input low DC voltage: Logic 0 @ -90mV	$V_{IL(DC90)max}$	-90	-	mV
Input low DC voltage: Logic 0 @ -100mV	$V_{IL(DC100)max}$	-	-100	mV
Input low AC voltage: Logic 0 @ -135mV	$V_{IL(AC135)max}$	-135	-	mV
Input low AC voltage: Logic 0 @ -150mV	$V_{IL(AC150)max}$	-	-150	mV
Input low AC voltage: Logic 0 @ -160mV	$V_{IL(AC160)max}$	-160	-	mV
Input low AC voltage: Logic 0 @ -175mV	$V_{IL(AC175)max}$	-	-175	mV

Parameter / Condition	Symbol	Value		Units
		1.35V Operation	1.5V Operation	
DQ and DM				
Input high AC voltage: Logic 1	$V_{IH(AC150)min}$	-	150	mV
Input high AC voltage: Logic 1	$V_{IH(AC135)min}$	135	-	mV
Input high DC voltage: Logic 1	$V_{IH(DC100)min}$	-	100	mV
Input high DC voltage: Logic 1	$V_{IH(DC90)min}$	90	-	mV
Input low DC voltage: Logic 0	$V_{IL(DC90)max}$	-90	-	mV
Input low DC voltage: Logic 0	$V_{IL(DC100)max}$	-	-100	mV
Input low AC voltage: Logic 0	$V_{IL(AC135)max}$	-135	-	mV
Input low AC voltage: Logic 0	$V_{IL(AC150)max}$	-	-150	mV

Notes:

- 1 All voltages are referenced to VREF. VREF is VREFCA for control, command, and address. All slew rates and setup/hold times are specified at the DRAM ball. VREF is VREFDQ for DQ and DM inputs.
- 2 Input setup timing parameters (tIS and tDS) are referenced at VIL(AC)/VIH(AC), not VREF(DC).
- 3 Input hold timing parameters (tIH and tDH) are referenced at VIL(DC)/VIH(DC), not VREF(DC).
- 4 Single-ended input slew rate = 1 V/ns; maximum input voltage swing under test is 900mV (peak-to-peak).



Table 14 - Differential Input Operating Conditions (CK, /CK and DQS, /DQS)

Parameter / Condition	Symbol	Rating		Units	Notes
		Min	Max		
Differential input voltage logic high – slew (1.35V Operation)	$V_{IH,diff}$	+180	-	mV	1
Differential input voltage logic high – slew (1.5V Operation)	$V_{IH,diff}$	+200	-	mV	1
Differential input voltage logic low – slew (1.35V Operation)	$V_{IL,diff}$	-	-180	mV	1
Differential input voltage logic low – slew (1.5V Operation)	$V_{IL,diff}$	-	-200	mV	1
Differential input voltage logic high	$V_{IH,diff(AC)}$	$2 * (VIH(AC) - VREF)$	-	mV	2
Differential input voltage logic low	$V_{IL,diff(AC)}$	-	$2 * (VIL(AC) - VREF)$	mV	3
Differential Input Cross Point Voltage relative to VDD/2 for CK, /CK	$V_{IX}$	-150	150	mV	
Differential Input Cross Point Voltage relative to VDD/2 for DQS, /DQS	$V_{IX}$	-150	150	mV	

**Notes:**

- <sup>1</sup> Defines slew rate reference points, relative to input crossing voltages.
- <sup>2</sup> Minimum DC limit is relative to single-ended signals; overshoot specifications are applicable.
- <sup>3</sup> Maximum DC limit is relative to single-ended signals; undershoot specifications are applicable.

**Table 15 - Single-Ended Output Driver Characteristics**

Parameter / Condition	Symbol	Rating		Units	Notes
		Min	Max		
Output slew rate: Single-ended; For rising and falling edges, measure between $V_{OL(AC)} = V_{REF} - 0.1 * V_{DDQ}$ and $V_{OH(AC)} = V_{REF} + 0.1 * V_{DDQ}$ (1.35V Operation)	SRQse	1.75	5	V/ns	1,2,3
Output slew rate: Single-ended; For rising and falling edges, measure between $V_{OL(AC)} = V_{REF} - 0.1 * V_{DDQ}$ and $V_{OH(AC)} = V_{REF} + 0.1 * V_{DDQ}$ (1.5V Operation)	SRQse	2.5	5	V/ns	1,2,3
Single-ended high level for strobes	$V_{SEH}$	$V_{DDQ}/2 + 175$	-	mV	2
Single-ended high level for CK, /CK		$V_{DD}/2 + 175$	-	mV	2
Single-ended low level for strobes	$V_{SEL}$	-	$V_{DDQ}/2 - 175$	mV	3
Single-ended low level for CK, /CK		-	$V_{DD}/2 - 175$	mV	3
Single-ended DC high-level output voltage	$V_{OH(DC)}$	$0.8 * V_{DDQ}$		V	1
Single-ended DC mid-level output voltage	$V_{OM(DC)}$	$0.5 * V_{DDQ}$		V	1
Single-ended DC low-level output voltage	$V_{OL(DC)}$	$0.2 * V_{DDQ}$		V	1
Single-ended AC high-level output voltage	$V_{OH(AC)}$	$V_{TT} + 0.1 * V_{DDQ}$		V	1,2
Single-ended AC low-level output voltage	$V_{OL(AC)}$	$V_{TT} - 0.1 * V_{DDQ}$		V	1,2
Test load for AC timing and output slew rates	Output to $V_{TT}$ ( $V_{DDQ}/2$ ) via $25\Omega$ resistor				

**Notes:**

- <sup>1</sup> RZQ of  $240\Omega$  ( $\pm 1\%$ ) with RZQ/7 enabled (default  $34\Omega$  driver) and is applicable after proper ZQ calibration has been performed at a stable temperature and voltage ( $V_{DDQ} = V_{DD}$ ,  $V_{SSQ} = V_{SS}$ ).
- <sup>2</sup>  $V_{TT} = V_{DDQ}/2$ .
- <sup>3</sup> The 6 V/ns maximum is applicable for a single DQ signal when it is switching either from HIGH to LOW or LOW to HIGH while the remaining DQ signals in the same byte lane are either all static or all switching the opposite direction. For all other DQ signal switching combinations, the maximum limit of 6 V/ns is reduced to 5 V/ns.

**Table 16 - Differential Output Driver Characteristics**

Parameter / Condition	Symbol	Rating		Units	Notes
		Min	Max		
Output slew rate: Differential; For rising and falling edges, measure between $V_{OL,diff(AC)} = -0.2 * V_{DDQ}$ and $V_{OH,diff(AC)} = +0.2 * V_{DDQ}$ (1.35V Operation)	$SRQ_{diff}$	3.5	12	V/ns	1
Output slew rate: Differential; For rising and falling edges, measure between $V_{OL,diff(AC)} = -0.2 * V_{DDQ}$ and $V_{OH,diff(AC)} = +0.2 * V_{DDQ}$ (1.5V Operation)	$SRQ_{diff}$	5	10	V/ns	1
Differential high-level output voltage	$V_{OH,diff(AC)}$	$+0.2 * V_{DDQ}$		V	1
Differential low-level output voltage	$V_{OL,diff(AC)}$	$-0.2 * V_{DDQ}$		V	1
Test load for AC timing and output slew rates	Output to $V_{TT}$ ( $V_{DDQ}/2$ ) via $25\Omega$ resistor				

**Notes:**

- <sup>1</sup> RZQ of  $240\Omega$  ( $\pm 1\%$ ) with RZQ/7 enabled (default  $34\Omega$  driver) and is applicable after proper ZQ calibration has been performed at a stable temperature and voltage ( $V_{DDQ} = V_{DD}$ ,  $V_{SSQ} = V_{SS}$ ).
- <sup>2</sup>  $V_{REF} = V_{DDQ}/2$ ; slew rate @ 5V/ns, interpolate for faster slew rate.

For part number IMM4G72D3(L)RDQ4AG-B125(I)

Table 17 - IDD Specifications with Conditions and Operation Current

Parameter / Condition	Symbol	Current		Units	Notes
		1.35V Operation	1.5V Operation		
Operating current 0; One bank ACTIVATE-to-PRECHARGE	$I_{DD0}$	2952	3150	mA	1, 2
Operating current 1; One bank ACTIVATE-to-READ-to-PRECHARGE	$I_{DD1}$	3132	3420	mA	1, 2
Precharge power-down current; Slow exit	$I_{DD2P0}$	2016	2160	mA	1, 3
Precharge power-down current; Fast exit	$I_{DD2P1}$	2016	2160	mA	1, 3
Precharge quiet standby current	$I_{DD2Q}$	2592	2880	mA	1, 3
Precharge standby current	$I_{DD2N}$	4032	4320	mA	1, 3
Precharge standby ODT current	$I_{DD2NT}$	4752	5040	mA	1, 3
Active power-down current	$I_{DD3P}$	2160	2304	mA	1, 3
Active standby current	$I_{DD3N}$	4464	5040	mA	1, 3
Burst read operating current	$I_{DD4R}$	5112	5400	mA	1, 2
Burst write operating current	$I_{DD4W}$	3402	3690	mA	1, 2
Refresh current	$I_{DD5B}$	4662	4950	mA	1, 2
Self refresh temperature current: MAX Tc = 85oC	$I_{DD6}$	1296	1440	mA	1, 3
Self refresh temperature current (SRT-enabled): MAX Tc = 95oC	$I_{DD6ET}$	1296	1440	mA	1, 3
All banks interleaved read current	$I_{DD7}$	5832	6300	mA	1, 2
Reset current	$I_{DD8}$	1746	1890	mA	1, 2

**Notes:**

- <sup>1</sup> Value shown for DDR3 SDRAM only and are computed from values specified in the 8Gbit component data sheet.
- <sup>2</sup> One module rank in the active IDD, the other rank in IDD2P0.
- <sup>3</sup> All ranks in this IDD conditions.

For part number IMM4G72D3(L)RDQ4AG-B125(I)

**Table 18 - AC Timing Parameter and Operating Conditions**

Parameter / Condition		Symbol	Min	Max	Units
Clock Timing					
Clock period average: DLL disable mode	$T_c = 0^\circ\text{C to } 85^\circ\text{C}$	$t_{CK}(\text{DLL\_DIS})$	8	7800	ns
	$T_c \Rightarrow 85^\circ\text{C to } 95^\circ\text{C}$		8	3900	
Clock periods average: DLL enable mode (CL = 11, CWL = 8)		$t_{CK}(\text{AVG})$	1.25	<1.5	ns
Clock periods average: DLL enable mode (CL = 9, CWL = 7)		$t_{CK}(\text{AVG})$	1.5	<1.875	ns
High pulse width average		$t_{CH}(\text{AVG})$	0.47	0.53	$t_{CK}$
Low pulse width average		$t_{CL}(\text{AVG})$	0.47	0.53	$t_{CK}$
Clock period jitter	DLL locked	$t_{JITper}$	-70	70	ps
	DLL locking	$t_{JITper,lck}$	-60	60	ps
Clock absolute period		$t_{CK}(\text{ABS})$	$t_{CK}(\text{AVG}) \text{ MIN} + t_{JITper}$	$t_{CK}(\text{AVG}) \text{ MAX} + t_{JITper}$	ps
Clock absolute high pulse width		$t_{CH}(\text{ABS})$	0.43	-	$t_{CK}(\text{AVG})$
Clock absolute low pulse width		$t_{CL}(\text{ABS})$	0.43	-	$t_{CK}(\text{AVG})$
Cycle-to-cycle jitter	DLL locked	$t_{JITcc}$	-	140	ps
	DLL locking	$t_{JITcc,lck}$	-	120	ps
Cumulative error across	2 cycles	$t_{ERR2per}$	-103	103	ps
	3 cycles	$t_{ERR3per}$	-122	122	ps
	4 cycles	$t_{ERR4per}$	-136	136	ps
	5 cycles	$t_{ERR5per}$	-147	147	ps
	6 cycles	$t_{ERR6per}$	-155	155	ps
	7 cycles	$t_{ERR7per}$	-163	163	ps
	8 cycles	$t_{ERR8per}$	-169	169	ps
	9 cycles	$t_{ERR9per}$	-175	175	ps
	10 cycles	$t_{ERR10per}$	-180	180	ps
	11 cycles	$t_{ERR11per}$	-184	184	ps
	12 cycles	$t_{ERR12per}$	-188	188	ps
	n = 14,...49, 50 cycles	$t_{ERRnper}$	$(1+0.68\ln[n]) * t_{JITper}$	MIN	$(1+0.68\ln[n]) * t_{JITper}$
DQ Input Timing					
Data setup time to DQS, /DQS (1.35V Operation)	Base (specification)	$t_{DS}(\text{AC135})$	25	-	ps
					ps
Data setup time to DQS, /DQS (1.5V Operation)	Base (specification)	$t_{DS}(\text{AC150})$	10	-	ps
					ps
Data hold time from DQS, /DQS (1.35V Operation)	Base (specification)	$t_{DH}(\text{DC90})$	55	-	ps
					ps
Data hold time from DQS, /DQS (1.5V Operation)	Base (specification)	$t_{DH}(\text{DC100})$	45	-	ps
					ps
Minimum data pulse width		$t_{DIPW}$	360	-	ps
DQ Output Timing					
DQS, /DQS to DQ skew, per access		$t_{DQSQ}$	-	100	ps
DQ output hold time from DQS, /DQS		$t_{QH}$	0.38	-	$t_{CK}(\text{AVG})$
DQ Low-Z time from CK, /CK		$t_{LZDQ}$	-450	225	ps
DQ High-Z time from CK, /CK		$t_{HZDQ}$	-	225	ps
DQ Strobe Input Timing					
DQS, /DQS rising to CK, /CK rising		$t_{DQSS}$	-0.27	0.27	$t_{CK}$
DQS, /DQS differential input low pulse width		$t_{DQSL}$	0.45	0.55	$t_{CK}$

For part number IMM4G72D3(L)RDQ4AG-B125(I)

Parameter / Condition		Symbol	Min	Max	Units
DQS, /DQS falling setup to CK, /CK rising		<sup>t</sup> DSS	0.18	-	<sup>t</sup> CK
DQS, /DQS falling hold from CK, /CK rising		<sup>t</sup> DSH	0.18	-	<sup>t</sup> CK
DQS, /DQS differential input high pulse width		<sup>t</sup> DQSH	0.45	0.55	<sup>t</sup> CK
DQS, /DQS differential WRITE preamble		<sup>t</sup> WPRE	0.9	-	<sup>t</sup> CK
DQS, /DQS differential WRITE postamble		<sup>t</sup> WPST	0.3	-	<sup>t</sup> CK
DQ Strobe Output Timing					
DQS, /DQS rising to/from CK, /CK		<sup>t</sup> DQSK	-225	225	ps
DQS, /DQS differential output high time		<sup>t</sup> QSH	0.40	-	<sup>t</sup> CK
DQS, /DQS differential output low time		<sup>t</sup> QSL	0.40	-	<sup>t</sup> CK
DQS, /DQS Low-Z time (RL-1)		<sup>t</sup> LZDQS	-450	225	ps
DQS, /DQS High-Z time (RL+BL/2)		<sup>t</sup> HZDQS	-	225	ps
DQS, /DQS differential READ preamble		<sup>t</sup> RPRE	0.9	greater of <sup>t</sup> LZ(DQS) (MIN), <sup>t</sup> DQSK (MAX)	<sup>t</sup> CK
DQS, /DQS differential READ postamble		<sup>t</sup> RPST	0.3	greater of <sup>t</sup> DQSK (MIN) + <sup>t</sup> QSH (MIN), <sup>t</sup> HZ(DQS) (MAX)	<sup>t</sup> CK
Command and Address Timing					
DLL locking time		<sup>t</sup> DLLK	512	-	<sup>t</sup> CK
CTRL, CMD, ADDR setup to CK, /CK (1.35V Operation)	Base (specification)	<sup>t</sup> IS (AC160)	60	-	ps
					ps
CTRL, CMD, ADDR setup to CK, /CK (1.5V Operation)	Base (specification)	<sup>t</sup> IS (AC175)	45	-	ps
CTRL, CMD, ADDR setup to CK, /CK (1.35V Operation)	Base (specification)	<sup>t</sup> IS (AC135)	185	-	ps
					ps
					ps
CTRL, CMD, ADDR setup to CK, /CK (1.5V Operation)	Base (specification)	<sup>t</sup> IS (AC150)	170	-	ps
					ps
CTRL, CMD, ADDR hold from CK, /CK (1.35V Operation)	Base (specification)	<sup>t</sup> IH (DC90)	130	-	ps
					ps
CTRL, CMD, ADDR hold from CK, /CK (1.5V Operation)	Base (specification)	<sup>t</sup> IH (DC100)	120	-	ps
					ps
Minimum CTRL, CMD, ADDR pulse width		<sup>t</sup> IPW	560	-	ps
ACTIVATE to internal READ or WRITE delay		<sup>t</sup> RCD	13.125	-	ns
PRECHARGE command period		<sup>t</sup> RP	13.125	-	ns
ACTIVATE-to-PRECHARGE command period		<sup>t</sup> RAS	35	9 * <sup>t</sup> REFI	ns
ACTIVATE-to-ACTIVATE command period		<sup>t</sup> RC	48.125	-	ns
ACTIVATE-to-ACTIVATE minimum period		<sup>t</sup> RRD	greater of 4 <sup>t</sup> CK or 6ns	-	<sup>t</sup> CK
Four ACTIVATE windows (2KB page size)		<sup>t</sup> FAW	30	-	ns
Write recovery time		<sup>t</sup> WR	15	-	ns
Delay from start of internal WRITE transaction to internal READ command		<sup>t</sup> WTR	greater of 4 <sup>t</sup> CK or 7.5ns	-	<sup>t</sup> CK
READ-to-PRECHARGE time		<sup>t</sup> RTP	greater of 4 <sup>t</sup> CK or 7.5ns	-	<sup>t</sup> CK
/CAS-to-/CAS command delay		<sup>t</sup> CCD	4	-	<sup>t</sup> CK
Auto precharge write recovery + precharge time		<sup>t</sup> DAL	WR + <sup>t</sup> RP/ <sup>t</sup> CK (AVG)	-	<sup>t</sup> CK
MODE REGISTER SET command cycle time		<sup>t</sup> MRD	4	-	<sup>t</sup> CK
MODE REGISTER SET command update delay		<sup>t</sup> MOD	greater of 12 <sup>t</sup> CK or 15ns	-	<sup>t</sup> CK
MULTIPURPOSE REGISTER READ burst end to mode register set for multipurpose register exit		<sup>t</sup> MPPRR	1	-	<sup>t</sup> CK

For part number IMM4G72D3(L)RDQ4AG-B125(I)

Parameter / Condition		Symbol	Min	Max	Units
<b>Calibration Timing</b>					
ZQCL command: Long calibration time	POWER-UP and RESET operation	<sup>t</sup> ZQinit	greater of 512 <sup>t</sup> CK	-	<sup>t</sup> CK
	Normal operation	<sup>t</sup> ZQoper	greater of 256 <sup>t</sup> CK	-	<sup>t</sup> CK
ZQCS command: Short calibration time		<sup>t</sup> ZQcs	greater of 64 <sup>t</sup> CK	-	<sup>t</sup> CK
<b>Initialization and Reset Timing</b>					
Exit reset from CKE HIGH to valid command		<sup>t</sup> XPR	greater of 5 <sup>t</sup> CK or <sup>t</sup> RFC(min)+10ns	-	<sup>t</sup> CK
<b>Refresh Timing</b>					
REFRESH-to-ACTIVATE or REFRESH command period		<sup>t</sup> RFC	260	-	ns
Maximum refresh period	T <sub>c</sub> ≤85oC	-	64 (1X)	-	ms
	T <sub>c</sub> >85oC	-	32 (2X)	-	
Maximum average periodic refresh	T <sub>c</sub> ≤85oC	<sup>t</sup> REFI	7.8 (64ms/8192)	-	us
	T <sub>c</sub> >85oC	<sup>t</sup> REFI	3.9 (32ms/8192)	-	
<b>Self Refresh Timing</b>					
Exit self refresh to commands not requiring a locked DLL		<sup>t</sup> XS	greater of 5 <sup>t</sup> CK or <sup>t</sup> RFC+10ns	-	<sup>t</sup> CK
Exit self refresh to commands requiring a locked DLL		<sup>t</sup> XSDLL	<sup>t</sup> DLLK (MIN)	-	<sup>t</sup> CK
Minimum CKE low pulse width for self refresh entry to self refresh exit timing		<sup>t</sup> CKESR	<sup>t</sup> CKE (MIN) + <sup>t</sup> CK	-	<sup>t</sup> CK
Valid clocks after self refresh entry or power down entry		<sup>t</sup> CKSRE	greater of 5 <sup>t</sup> CK or 10ns	-	<sup>t</sup> CK
Valid clocks before self refresh exit, power-down exit, or reset exit		<sup>t</sup> CKSRX	greater of 5 <sup>t</sup> CK or 10ns	-	<sup>t</sup> CK
<b>Power-Down Timing</b>					
CKE MIN pulse width		<sup>t</sup> CKE (MIN)	greater of 3 <sup>t</sup> CK or 5ns	-	<sup>t</sup> CK
Command pass disable delay		<sup>t</sup> CPDED	1	-	<sup>t</sup> CK
Power-down entry to power exit timing		<sup>t</sup> PD	<sup>t</sup> CKE (MIN)	9 * <sup>t</sup> REFI	<sup>t</sup> CK
<b>Power-Down Entry Minimum Timing</b>					
ACTIVATE command to power-down entry		<sup>t</sup> ACTPDEN	1	-	<sup>t</sup> CK
PRECHARGE/PRECHARGE ALL command to power-down entry		<sup>t</sup> PRPDEN	1	-	<sup>t</sup> CK
REFRESH command to power-down entry		<sup>t</sup> REFPDEN	1	-	<sup>t</sup> CK
MRS command to power-down entry		<sup>t</sup> MRSPDEN	MIN = <sup>t</sup> MOD (MIN)	-	<sup>t</sup> CK
READ/READ with auto precharge command to power-down entry		<sup>t</sup> RDPDEN	MIN = RL + 4 + 1	-	<sup>t</sup> CK
WRITE command to power-down entry	BL8 (OTF, MRS) BC4OTF	<sup>t</sup> WRPDEN	MIN = WL + 4 + <sup>t</sup> WR/ <sup>t</sup> CK (AVG)	-	<sup>t</sup> CK
	BC4MRS	<sup>t</sup> WRPDEN	MIN = WL + 2 + <sup>t</sup> WR/ <sup>t</sup> CK (AVG)	-	<sup>t</sup> CK
WRITE with auto precharge command to power-down entry	BL8 (OTF, MRS) BC4OTF	<sup>t</sup> WRAPDEN	MIN = WL + 4 + <sup>t</sup> WR + 1	-	<sup>t</sup> CK
	BC4MRS	<sup>t</sup> WRAPDEN	MIN = WL + 2 + <sup>t</sup> WR + 1	-	<sup>t</sup> CK
<b>Power-Down Exit Timing</b>					
DLL on, any valid command, or DLL off to commands not requiring locked DLL		<sup>t</sup> XP	greater of 3 <sup>t</sup> CK or 6ns	-	<sup>t</sup> CK
Precharge power-down with DLL off to commands requiring a locked DLL		<sup>t</sup> XPDLL	greater of 10 <sup>t</sup> CK or 24ns	--	<sup>t</sup> CK
<b>ODT Timing</b>					
R <sub>TT</sub> turn-on from ODTL on reference		<sup>t</sup> AON	-225	225	ps
R <sub>TT</sub> turn-off from ODTL off reference		<sup>t</sup> AOF	0.3	0.7	<sup>t</sup> CK (AVG)

For part number IMM4G72D3(L)RDQ4AG-B125(I)

Parameter / Condition	Symbol	Min	Max	Units
Asynchronous R <sub>TT</sub> turn-on delay (power-down with DLL off)	t <sub>AONPD</sub>	2	8.5	ns
Asynchronous R <sub>TT</sub> turn-off delay (power-down with DLL off)	t <sub>AOFPD</sub>	2	8.5	ns
ODT high time without write command or with write command and BC4	ODTH4	4	-	t <sub>CK</sub>
ODT high time with Write command and BL8	ODTH8	6	-	t <sub>CK</sub>
Dynamic ODT Timing				
R <sub>TT</sub> dynamic change skew	t <sub>ADC</sub>	0.3	0.7	t <sub>CK</sub> (AVG)
Write Leveling Timing				
First DQS, /DQS rising edge	t <sub>WLMRD</sub>	40	-	t <sub>CK</sub>
DQS, /DQS delay	t <sub>WLDQSEN</sub>	25	-	t <sub>CK</sub>
Write leveling setup from rising CK, /CK crossing to rising DQS, /DQS crossing	t <sub>WLS</sub>	165	-	ps
Write leveling hold from rising DQS, /DQS crossing to rising CK, /CK crossing	t <sub>WLH</sub>	165	-	ps
Write leveling output delay	t <sub>WLO</sub>	0	7.5	ns
Write leveling output error	t <sub>WLOE</sub>	0	2	ns



For part number IMM4G72D3(L)RDQ4AG-B125(I)

Table 19 - SPD Information					
Byte NO.	Description	Note		Hex	
		1.35V Operation	1.5V Operation	1.35V Operation	1.5V Operation
0	Number of Serial PD Bytes Written / SPD Device Size / CRC Coverage	176 / 256 / 0-116		92	
1	SPD Revision	1.2		12	
2	Key Byte / DRAM Device Type	DDR3 SDRAM		0B	
3	Key Byte / Module Type	Registered DIMM		01	
4	SDRAM Density and Banks	4Gb 8banks		04	
5	SDRAM Addressing	Row 16 / Col 11		22	
6	Module Nominal Voltage, VDD	1.35V/1.5V	1.5V	02	00
7	Module Organization	4Rank , x4		18	
8	Module Memory Bus Width	ECC, 72bit		0B	
9	Fine Timebase (FTB) Dividend and Divisor	2.5ps		52	
10	Medium Timebase (MTB) Dividend	1/8 (0.125ns)		01	
11	Medium Timebase (MTB) Divisor	1/8 (0.125ns)		08	
12	SDRAM Minimum Cycle Time (tCKmin)	1.25ns		0A	
13	Reserved	-		00	
14	CAS Latencies Supported, Least Significant Byte	5, 6, 7, 8, 9, 10, 11		FE	
15	CAS Latencies Supported, Most Significant Byte	-		00	
16	Minimum CAS Latency Time (tAmin)	13.125ns		69	
17	Minimum Write Recovery Time (tWRmin)	15ns		78	
18	Minimum /RAS to /CAS Delay Time (tRCDmin)	13.125ns		69	
19	Minimum Row Active to Row Active Delay Time (tRRDmin)	6ns		30	
20	Minimum Row Precharge Time (tRPmin)	13.125ns		69	
21	Upper Nibbles for tRAS and tRC	-		11	
22	Minimum Active to Precharge Time (tRASmin), LSB	35ns		18	
23	Minimum Active to Active/Refresh Time (tRCmin), LSB	48.125ns		81	
24	Minimum Refresh Recovery Time (tRFCmin), LSB	260ns		20	
25	Minimum Refresh Recovery Time (tRFCmin), MSB	260ns		08	
26	Minimum Internal Write to Read Command Delay Time (tWTRmin)	7.5ns		3C	
27	Minimum Internal Read to Precharge Command Delay Time (tRTPmin)	7.5ns		3C	
28	Upper Nibble for tFAW	30ns		00	
29	Minimum Four Activate Window Delay Time (tFAWmin), LSB	30ns		F0	
30	SDRAM Optional Features	DLL off Mode, RZQ/6, RZQ/7		83	
31	SDRAM Thermal and Refresh Options	0-95oC Op. Temp. w/2x refresh		05	
32	Module Thermal Sensor	With TS		80	
33	SDRAM Device Type	Non-Standard SDRAM		A1	
34-59	Reserved, General Section	-		00	
60	Module Nominal Height	29< Height <= 30		0F	

Byte NO.	Description	Note	Hex
61	Module Maximum Thickness	1 < Tf <=2 (mm); 1 < Tb <=2 (mm)	11
62	Reference Raw Card Used	Raw Card AB1	35
63	Address Mapping from Edge Connector to DRAM	4 Rows 2 Registers	0E
64	Heat Spreader Solution	Without HS	00
65	Register vendor ID code (LSB)	-	00
66	Register vendor ID code (MSB)	-	00
67	Register Revision Number	-	FF
68	Register Type	SSTE32882	00
69	Register Control Word Function (RC0/RC1)	-	00
70	Register Control Word Function (RC2/RC3)	Moderate Drive	50
71	Register Control Word Function (RC4/RC5)	Moderate Drive	50
72	Register Control Word Function (RC6/RC7)	-	00
73	Register Control Word Function (RC8/RC9)	-	00
74	Register Control Word Function (RC10/RC11)	-	00
75	Register Control Word Function (RC12/RC13)	-	00
76	Register Control Word Function (RC14/RC15)	-	00
77-116	Reserved	-	00
117-118	Module ID: Module Manufacturer's JEDEC ID Code	Reserved	Reserved
119	Module ID: Module Manufacturing Location	Reserved	Reserved
120-121	Module ID: Module Manufacturing Date	Reserved	Reserved
122-125	Module ID: Module Serial Number	Reserved	Reserved
126-127	Cyclical Redundancy Code	-	F2 97   59 10
128-145	Module Part Number	Reserved	Reserved
146-147	Module Revision Code	Reserved	Reserved
148-149	DRAM Manufacturer's JEDEC ID Code	Reserved	Reserved
150-175	Manufacturer's Specific Data	Reserved	Reserved
176-255	Open For Customer Use	Reserved	Reserved

## Contents

---

Features	3
Table 1 - Ordering Information for RoHS Compliant Product	4
Table 2 - Operating Voltage	4
Table 3 - Temperature Grade	4
Table 4 - Speed Grade	4
Table 5 - Memory Chip Information	4
Part Number Decoder	5
Table 6 - Addressing	5
Table 7 - Pin Assignment	6
Table 8 - Pin Description	7
Figure 1 – Module Dimension 240 Pin DDR3 SDRAM Registered DIMM	8
Table 9 - PCB Dimension	9
Figure 2 – Functional Block Diagram (Page 1 of 4)	10
Figure 3 – Functional Block Diagram (Page 2 of 4)	11
Figure 4 – Functional Block Diagram (Page 3 of 4)	12
Figure 5 – Functional Block Diagram (Page 4 of 4)	13
Electrical Parameter	14
Table 10 - Absolute Maximum DC Ratings	14
Table 11 - DC Electrical Characteristics and Operating Conditions	14
Table 12 - DC Electrical Characteristics and Input Conditions	15
Table 13 - Input Switching Conditions	16
Table 14 - Differential Input Operating Conditions (CK, /CK and DQS, /DQS)	17
Table 15 - Single-Ended Output Driver Characteristics	18
Table 16 - Differential Output Driver Characteristics	19
Table 17 - IDD Specifications with Conditions and Operation Current	20
Table 18 - AC Timing Parameter and Operating Conditions	21
Table 19 - SPD Information	25
Contents	27
List of Tables	28
List of Figures	28

## List of Tables

---

Table 1 - Ordering Information for RoHS Compliant Product	4
Table 2 - Operating Voltage	4
Table 3 - Temperature Grade	4
Table 4 - Speed Grade	4
Table 5 - Memory Chip Information	4
Table 6 - Addressing	5
Table 7 - Pin Assignment	6
Table 8 - Pin Description	7
Table 9 - PCB Dimension	9
Table 10 - Absolute Maximum DC Ratings	14
Table 11 - DC Electrical Characteristics and Operating Conditions	14
Table 12 - DC Electrical Characteristics and Input Conditions	15
Table 13 - Input Switching Conditions	16
Table 14 - Differential Input Operating Conditions (CK, /CK and DQS, /DQS)	17
Table 15 - Single-Ended Output Driver Characteristics	18
Table 16 - Differential Output Driver Characteristics	19
Table 17 - IDD Specifications with Conditions and Operation Current	20
Table 18 - AC Timing Parameter and Operating Conditions	21
Table 19 - SPD Information	25

## List of Figures

---

Figure 1 – Module Dimension 240 Pin DDR3 SDRAM Registered DIMM	8
Figure 2 – Functional Block Diagram (Page 1 of 4)	10
Figure 3 – Functional Block Diagram (Page 2 of 4)	11
Figure 4 – Functional Block Diagram (Page 3 of 4)	12
Figure 5 – Functional Block Diagram (Page 4 of 4)	13